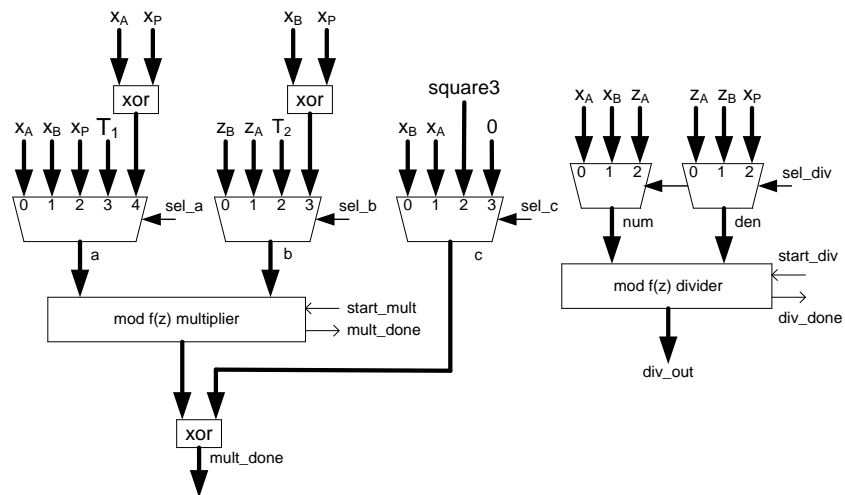
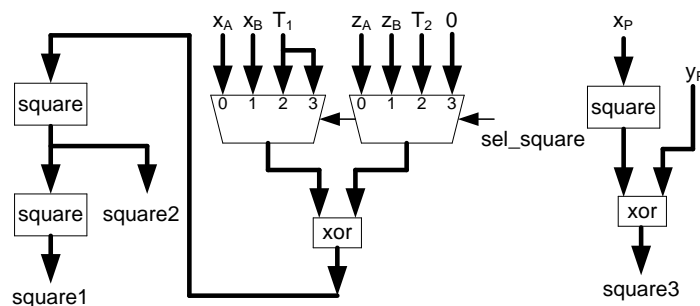


Additional Figure.

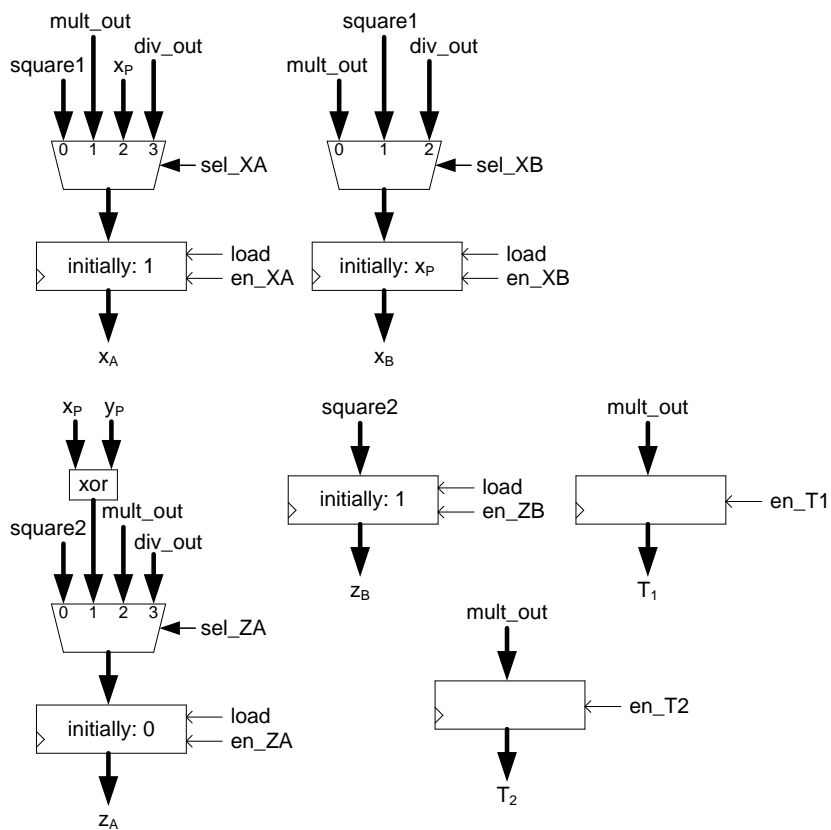
Data path of Basic Algorithm for point Multiplication (Algorithm 2).



a) multiplier and divider;



b) squares



c) registers